

JetWave IWC 5630 Industrial WLAN Controller

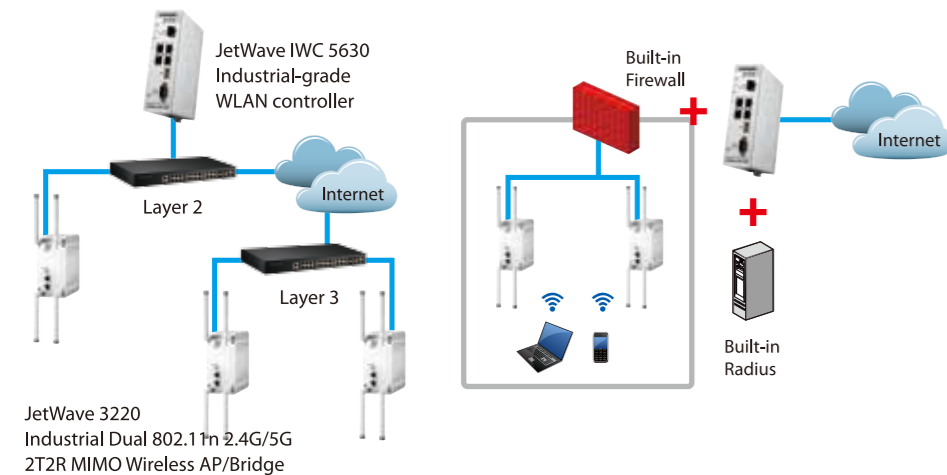


- Enhanced wireless security: Minimal deployment for built-in secure gateway
- Advanced wireless mobility: Less than 100ms server-based fast roaming
- WPA2-personal/enterprise and IEEE 802.11i-compliant wireless security
- UP to 25 managed Aps and 1000 concurrent users
- Up to 8 WLAN profiles per radio supported
- DC 9-36V power input, -40~75°C

Integrated AP L2/L3 Auto Discovery/Provision

JetWave APs automatically discover JetWave IWC 5630 through layer 2/layer 3 network, pre-configured AP settings will be provisioned to APs.

The product features gateway function for traffic filtering by MAC ACL and firewall and is equipped with a built-in RADIUS server for 802.1x integration. For mobility applications, it supports server-based super roaming with fast roaming times. It is an optimal solution for small to medium size wireless network deployment.



JetWave 3220
Industrial Dual 802.11n 2.4G/5G
2T2R MIMO Wireless AP/Bridge

Korenix Technology Co., Ltd

www.korenix.com
Tel: +886 2 8911 1000
Fax: +886 2 2912 3328
Business: sales@korenix.com
Service: korecare@korenix.com

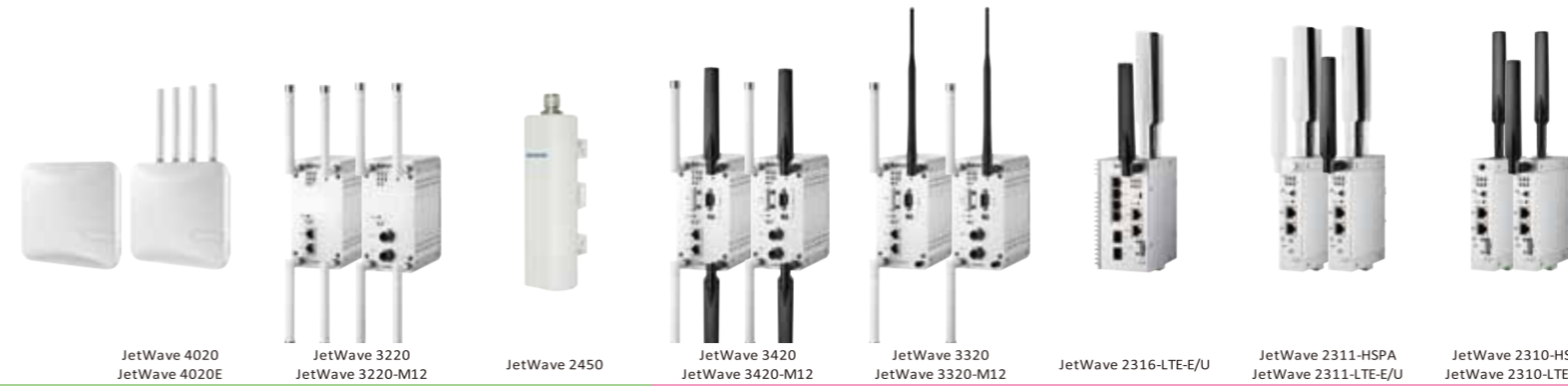


v17.1

JetWave IWC 5630

Industrial WLAN Controller	
Interface	
Ethernet	4x GE RJ-45 1x 100/100 SFP
Power input	DC 9~36V
Capacity	
Managed APs	25
Concurrent Users	1000
WLAN Profile	8
AP management	Layer2/3 AP auto discovery /provision, AP firmware distribution
Security	
Standards	WPA, WPA2-personal and enterprise
Encryption	WEP, TKIP, AES
Traffic Filtering	Layer 2 MAC ACL Layer 3 Firewall
RADIUS	Built-in RADIUS server
NAT/DMZ	•
Feature	
Roaming	Server-based OKC Roaming
Watchdog	Embedded Hardware Watchdog Timer
Network monitor	AP/Controller status AP/station list
Mechanical	
Dimension (H x D x W mm)	160 x 118 x 47
Operating Temperature	-40~75°C
Housing	Metal Chassis
Certification	
CE/FCC	•
Railway EMC	EN50121-4

• Supported



Wireless LAN Access Point		Mobile Cellular Router / Gateway					
Interface							
Ethernet	2x GE M12	2x GERJ-45 (or M12)	1x FERJ45	2x GE RJ-45 (or M12)	4x GE RJ-45 2x 100/1000 SFP	2x GE RJ-45	2x GE RJ-45
WIFI	1x 2.4G 802.11n 1x 5G 802.11ac	2x 2.4G/5G 802.11n	1x 2.4G 802.11n	1x 2.4G/5G 802.11n	1x 2.4G 802.11n 1x 2.4G 802.11n (LTE-E Model only)	1x 2.4G 802.11n	
Cellular				LTE-E/U	HSPA+ +GPS	LTE-E/U	HSPA+ or LTE-E/U
WIFI Antenna Socket	4 (Dual 2T2R MIMO)	4 (Dual 2T2R MIMO)	1 (SISO)	2 (2T2R MIMO)	2 (2T2R MIMO)	Up to 3 (3T3R MIMO)	
Serial				1x RS-232/422/485		1x RS-232/422/485	
DI/DO		1/1		1/1		0/1	
Power Input	Passive PoE (GT1) Dual DC 24V	802.3at PoE (Eth 1) Dual DC 24V(12~48V)	12V	802.3at PoE (Eth 1) Dual DC 24V(12~48V)			Dual DC 24V (12~48V)
Protocols							
Wireless Mode	AP, Client, WDS-AP/Client	AP, Client, WDS-AP/Client	AP, Client, Bridge, AP Repeater	AP, Client, WDS-AP/Client	AP, Client, WDS-AP/Client	AP, Client, WDS-AP/Client	
Routing	LAN/WIFI to WAN	LAN/WIFI to WAN		LAN/WIFI to LTE/WAN	LAN/WIFI to 3G/WAN	LAN to WAN/LTE	LAN to 3G or LTE
NAT/Firewall	•	•	•	•	•	•	•
VPN	OpenVPN/Ipssec	OpenVPN/Ipssec		OpenVPN/Ipssec	OpenVPN/IPSec	OpenVPN	OpenVPN
WAN Redundancy				WAN/LTE	WAN/3G	WAN or LTE	WAN/3G or LTE
Link Fault Pass-Through	•	•		•	•	•	•
Fast Roaming	•	•		•	•	•	•
802.1x, MAC Access Control	•	•	•	•	•	•	•
Configuration	CLI, Web, Utility, SNMP	CLI, Web, Utility, SNMP	Web, SNMP	CLI, Web, Utility, SNMP		CLI, Web, Utility, SNMP	
Link Test Tools	•	•	•	•	•	•	•
Auto IP Report				•	•	•	•
Event Alarm	E-mail, Syslog, SNMP Trap	DO, E-mail, Syslog, SNMP Trap	Syslog, SNMP Trap	DO, E-mail, Syslog, SNMP Trap		DO, E-mail, Syslog, SNMP Trap	
Mechanical							
Dimension (H x D x W mm)	236.8 x 266.8 x 91.5	149 x 120.6 x 74	165 x 34 x 60	149 x 120.6 x 74	140 x 115 x 75	140 x 110 x 33	140 x 110 x 33
Operating Temperature	-40~70°C	-40~70°C	-20~70°C	-40~70°C	-40~70°C	-25~70°C	-25~70°C
Housing	Aluminum (IP67)	Aluminum (IP31)	Plastic (IP55)	Aluminum (IP31)		Aluminum	
Certification							
CE/FCC	•	•	•	•	•	•	•
Railway EMC	EN50121-4	EN50121-4 EN50155		EN50121-4 EN50155			
R&TTE	•	•		•	•	•	•

• Supported

Korenix Technology, a Beijer Electronics Group Company, is devoted to designing and manufacturing high quality Industrial Ethernet and Wireless Products to ensure high quality and reliability of industrial networks.

Standard

WIFI IEEE802.11a/g/n/ac
3G 3GPP Release 4,6,7
LTE 3GPP Release 8,9

Operating Frequency

2.4G WIFI FCC:2.412~2.462GHz; CE: 2.412~2.472GHz
5G WIFI FCC: 5.170~5.250GHz and 5.735~5.835GHz, CE: 5.170~5.250GHz
3G GSM/GPRS/EDGE: Quad band 850/900/1800/1900MHz, UMTS/HSPA+: Five band 800/850/900/1900/2100MHz
LTE LTE-E: 800(20)/900(8)/1800(3)/2600(7)MHz
LTE-U: 700(17)/850(5)/AWS1700 and 2100(4)/1900(2)MHz

*DI: Digital Input; DO: Digital Output

Industrial Wireless Data Communication

Korenix Reliable Industrial Wireless and IIOT Solution



JetWave 4020 Series Industrial WLAN Controller



- Industry leading 802.11ac WIFI up to 1.16Gbps concurrent performance
- Dual M12 Gigabit Ethernet ports Bridging or NAT Routing
- Controller-based AP management, 100ms Super Roaming, Link Fault Pass-Through, Dual Radio Redundancy, SNMP
- WPA/WPA2 Security & VPN Connectivity
- M12 24V/110VDC Power Input

Dual Band Dual Radio with 802.11ac Performance

JetWave 4020 supports dual independent radios; one is 802.11n 2.4G frequency with up to 300Mbps data rate, the other is 802.11ac 5G frequency with up to 866Mbps data rate. Therefore, can cover applications from accessing from client mobile devices to high bandwidth ones. Moreover, two radios can work as dual band dual radio concurrent mode in one unit.

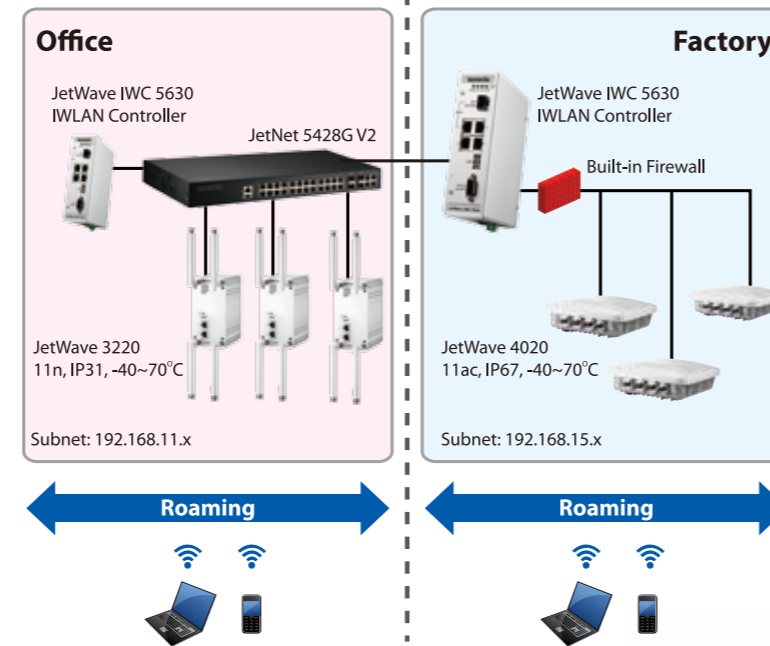
Wide Range Coverage Embedded Antenna

JetWave 4020 equips with two 2.4G 9dBi and two 5G 10dBi antenna pattern for two streams 2T2R MIMO transmission. The embedded antenna provides 180 degree width, above 300m length sector coverage; can be installed on the ceiling of high buildings or wall-mounting on wall, providing flexible installation which is useful for field applications.

Rugged EN50121-4, M12 & IP67 Waterproof

The anti-vibration, anti-shock, and M12 connectors strengthen the link reliability for outdoor installation, factory automation, and on moving vehicles. The EN50121-4 Track-side EMC protection, IP67 waterproof housing, and -40~70°C operating temperature allow the installation in harsh environment safely.

Intelligent Management for Remote Monitoring



Korenix WLAN Controller JetWave IWC 5630 can easily manage APs under different network domain; roaming function allows the moving clients to connect to different APs in short period of time.

M12 Connectors for Transportation Applications

M12 connectors are applied in certain Korenix JetWave series with brilliant anti-shock and anti-vibration capabilities to offer reliable, stable and cost-efficient solutions to transportation market.

*Applicable model: Korenix JetWave 4020, JetWave 3420, JetWave 3320, JetWave 3220 series.



JetWave 2316 Series Industrial WLAN Controller



- Long Term Evolution (LTE) technology, 2x2 DL-MIMO, max. 100MDL/50M UL
- 802.11n 2.4G 2T2R, up to 300Mbps
- 1GT WAN, 4GT + 2x 100/1000Base-X SFP, Wire-speed LAN Switching
- OPCuA for Industrial M2M
- NAT/Firewall/DMZ and Secure VPN Connectivity
- Dual DC 24V (12-48V), -40~70°C

WAN to LTE Redundancy

JetWave 2316 supports WAN to LTE redundant. Set the WAN port as the primary connection to the carrier provider, and the LTE is the backup interface which activates once the WAN port fails.

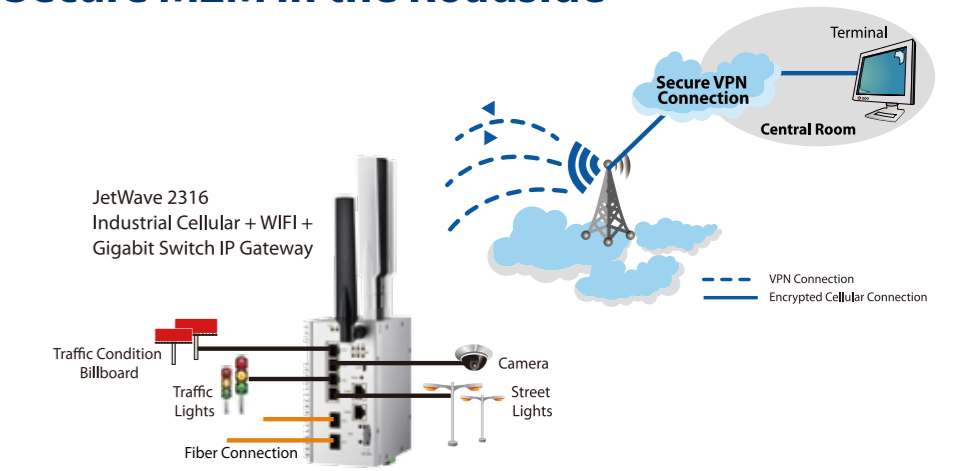
Rapid Super Ring Redundant Gateway

JetWave 2316 supports Rapid Super Ring (RSR) redundant protocol, which provides millisecond level recovery time when one of the link failed. The RSR Redundant Gateway design assures stable and seamless transmission at all times. Once the main gateway is shutdown or the RSR ring is abnormal, the backup one will be activated to ensure the edge client devices access to internet normally.

Multi-port Switch & Build in LAN/LTE Interface

The 6 gigabit LAN ports support 802.1Q VLAN and QoS for network optimizing, Korenix Ring Redundancy protocol, and Rapid Super Ring. These ports can work independently, connect to LAN switch, and integrate with 802.11n Wireless LAN. The additional built in WAN/LTE interface can be the uplink path to the internet or remote control room.

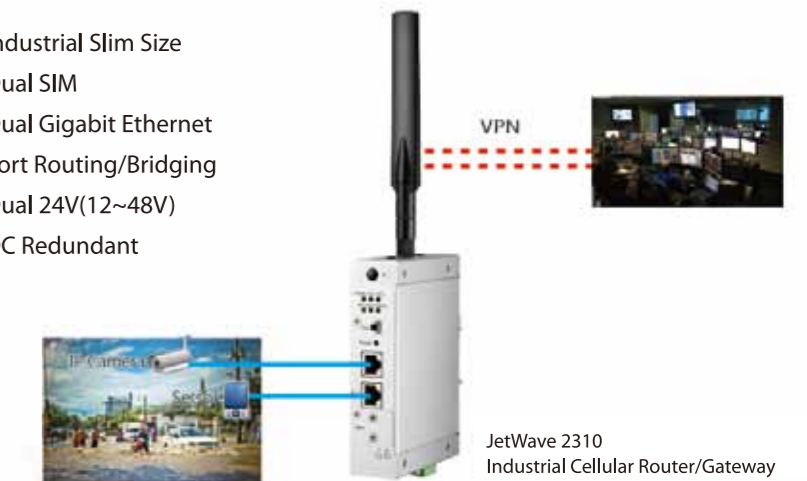
Secure M2M in the Roadside



Traffic equipment can be connected to JetWave 2316-LTE to transmit data securely back to the central room through VPN.

Cellular Flood Monitoring JetWave 2310 Series

- Industrial Slim Size
- Dual SIM
- Dual Gigabit Ethernet Port Routing/Bridging
- Dual 24V(12~48V) DC Redundant



Flood Monitoring can be achieved by connecting JetWave 2310 to IP camera and sensor to detect the water line, and transmitting the data back to the control center securely through VPN.